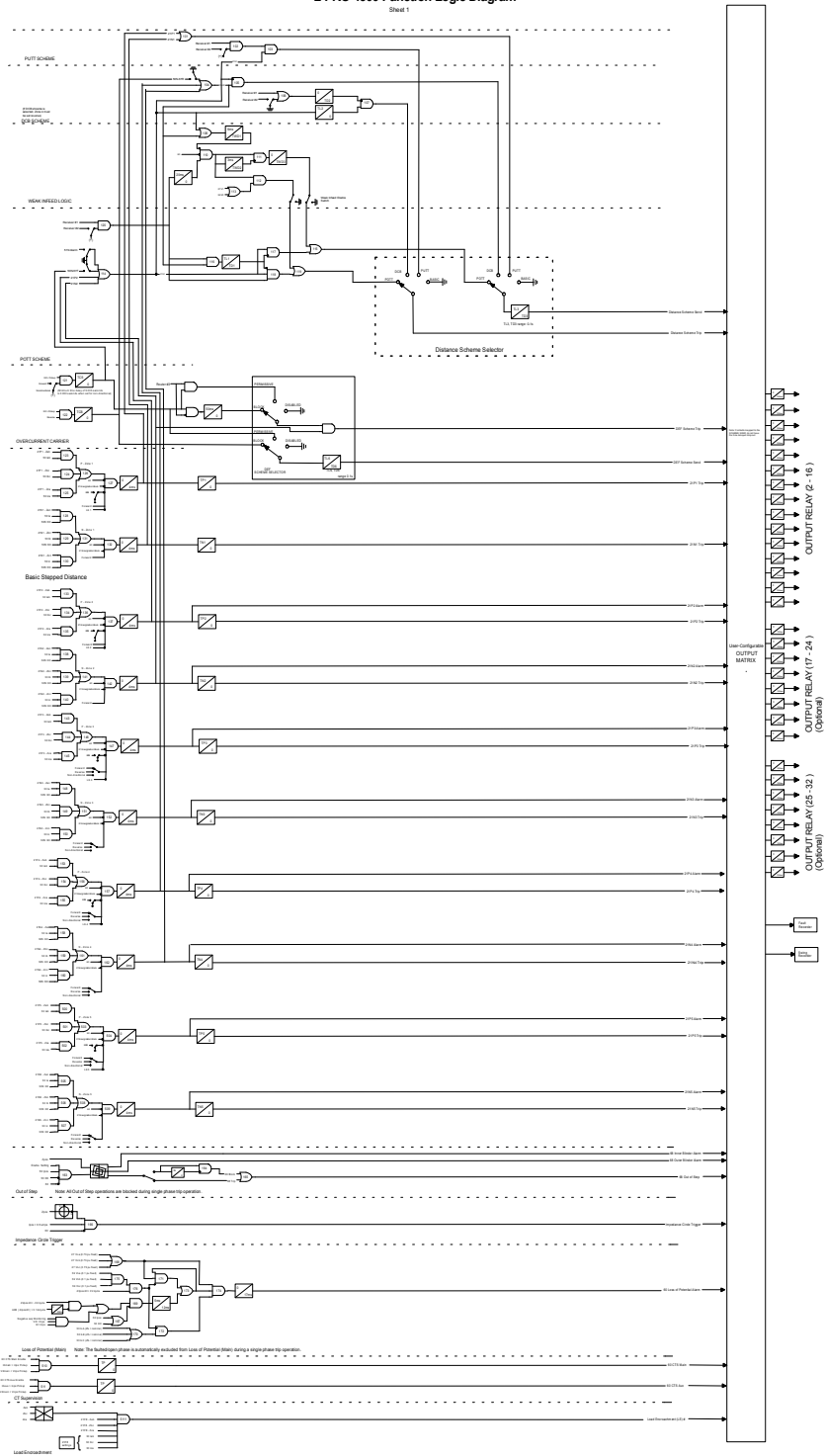


L-PRO 4500 Function Logic Diagram

Sheet 1



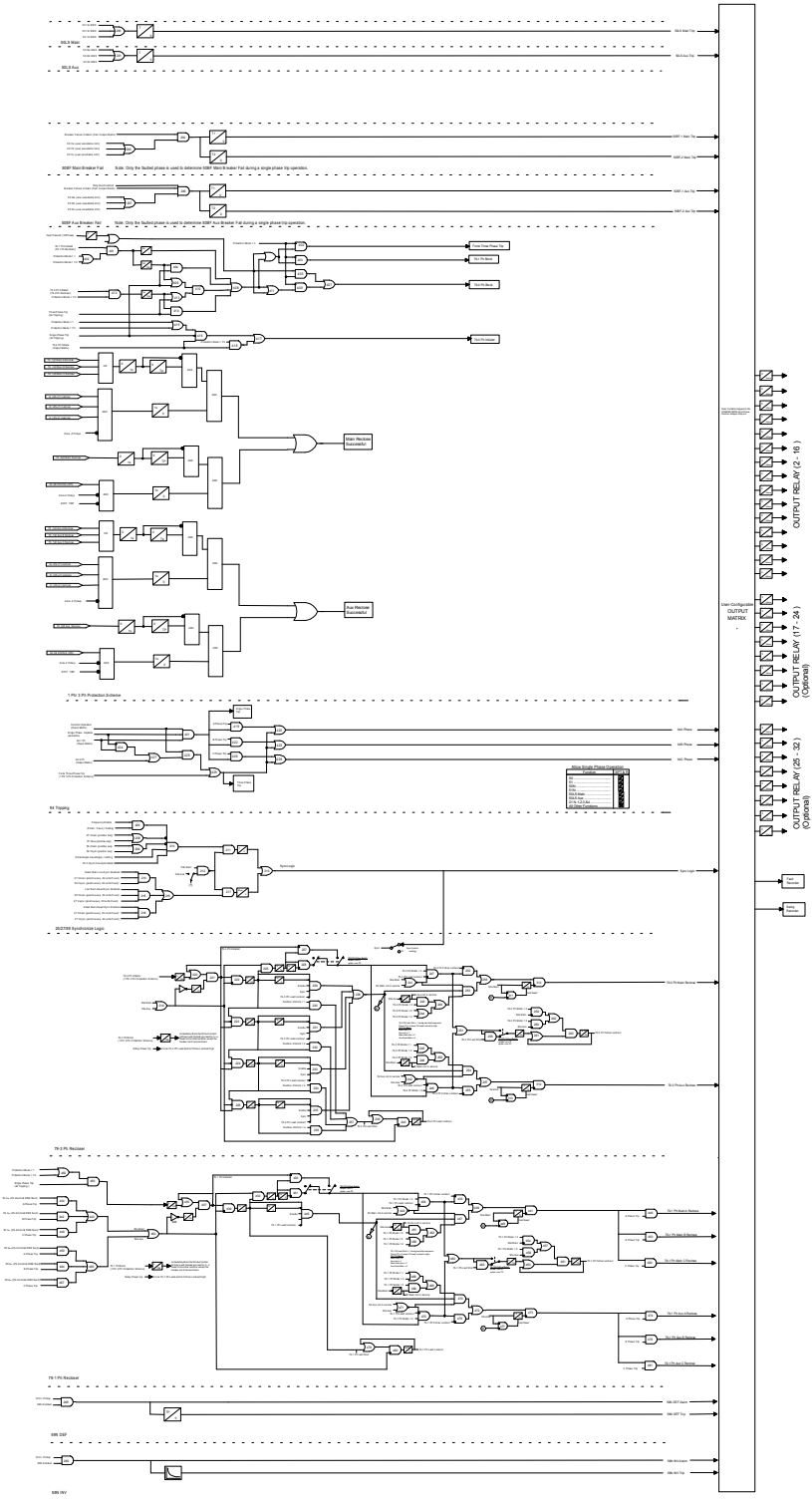
REV	DESCRIPTION	DATE	BY	CHKD	APP'D
001	Issue 001 (Original Issue)	2017-08-21			

		L-PRO 4500 FUNCTION LOGIC DIAGRAM	
ERL Phase Power Technologies		D04197	R00.00
01/01/2017	01/01/2017	P1	3

NOT: All references to the attached supplementary components of the wiring panel

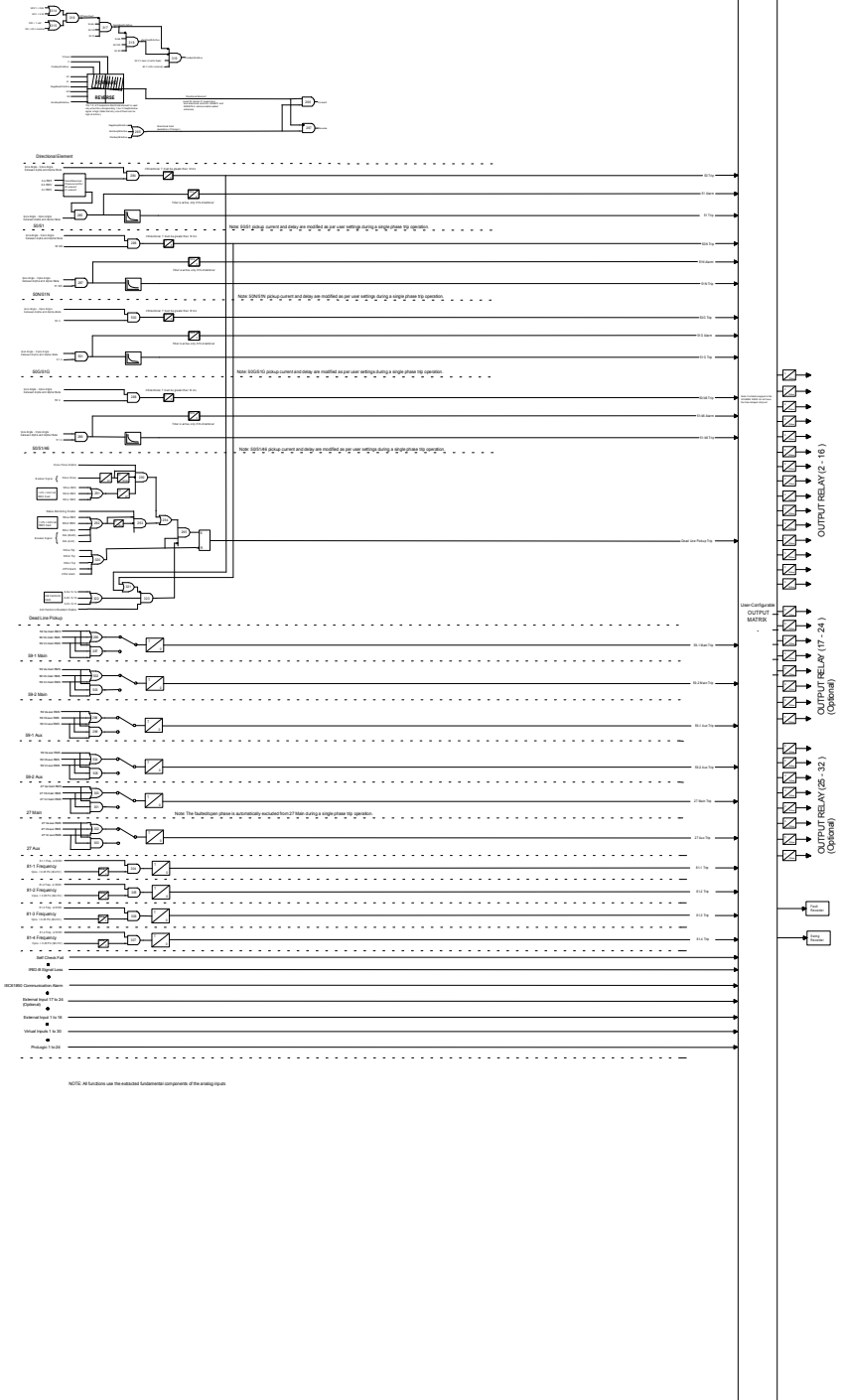
L-PRO 4500 Function Logic Diagram

Sheet 2



L-PRO 4500 Function Logic Diagram

Sheet 3



NOTE: All functions use the selected functional components of the wiring logic.

NOTE: All functions use the selected functional components of the wiring logic.

REV	DATE	DESCRIPTION	BY
1	2017-08-21	Initial Design	ERL
2	2017-08-21	Design Change	ERL
3	2017-08-21	Design Change	ERL
4	2017-08-21	Design Change	ERL
5	2017-08-21	Design Change	ERL
6	2017-08-21	Design Change	ERL
7	2017-08-21	Design Change	ERL
8	2017-08-21	Design Change	ERL
9	2017-08-21	Design Change	ERL
10	2017-08-21	Design Change	ERL



L-PRO 4500 FUNCTION LOGIC DIAGRAM			
REV	DATE	DESCRIPTION	BY
1	2017-08-21	Initial Design	ERL
2	2017-08-21	Design Change	ERL
3	2017-08-21	Design Change	ERL
4	2017-08-21	Design Change	ERL
5	2017-08-21	Design Change	ERL
6	2017-08-21	Design Change	ERL
7	2017-08-21	Design Change	ERL
8	2017-08-21	Design Change	ERL
9	2017-08-21	Design Change	ERL
10	2017-08-21	Design Change	ERL

D04197 R00.00 P3 2